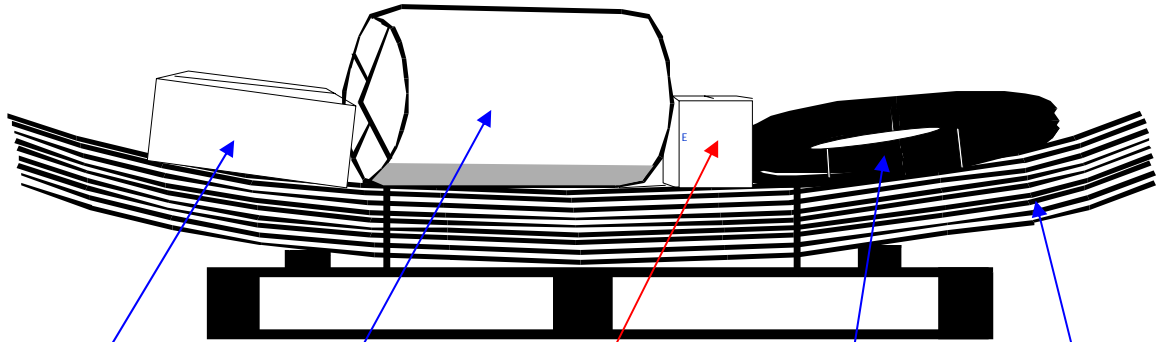


EVENPRODUCTS



Water Storage Tanks

ON THE PALLET



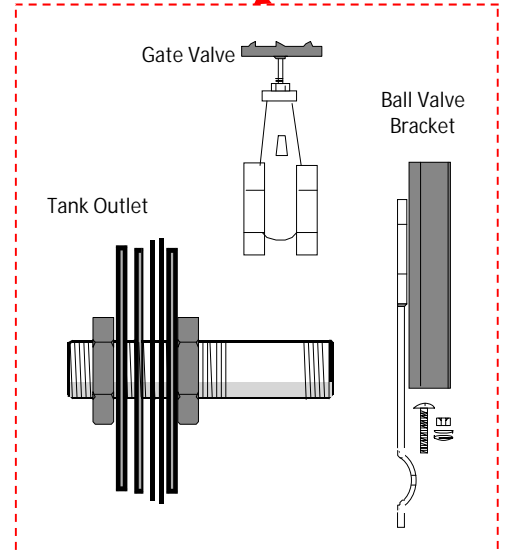
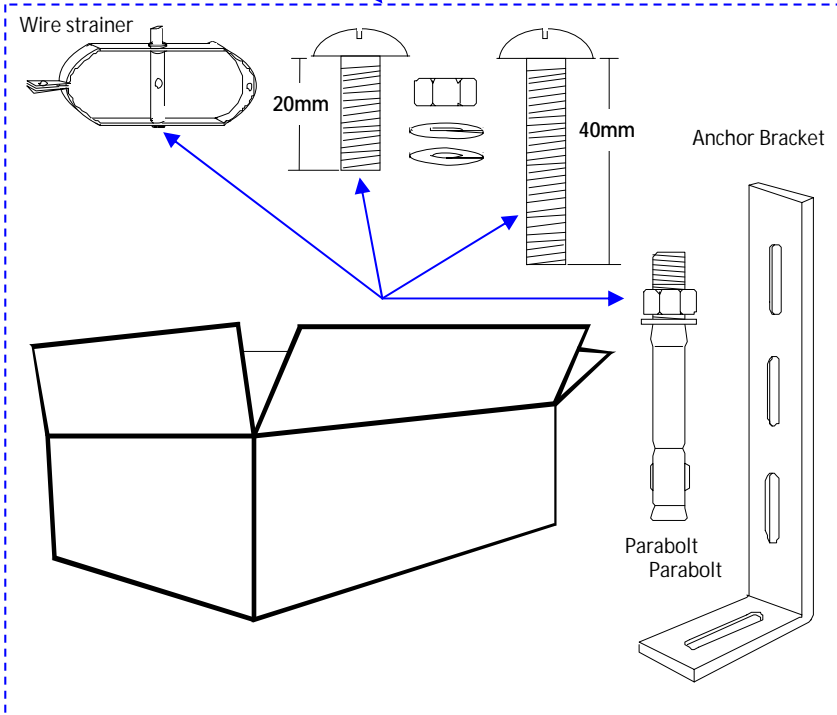
Fixings

Liner

Outlets &
Valves
(optional)

Capping

Steel Panels

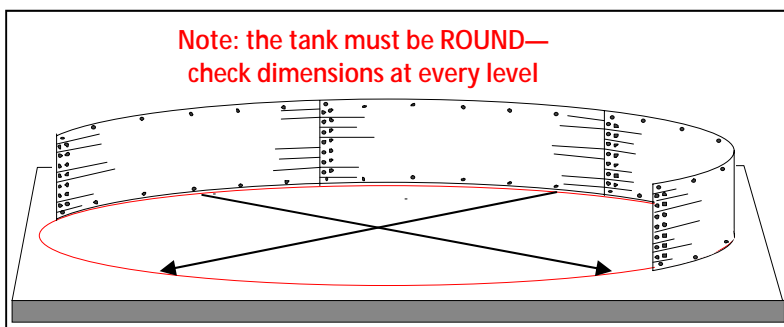
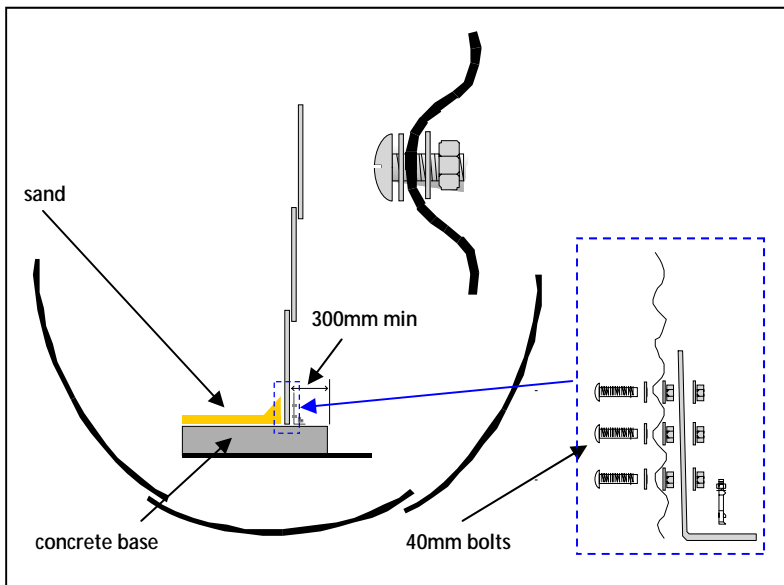
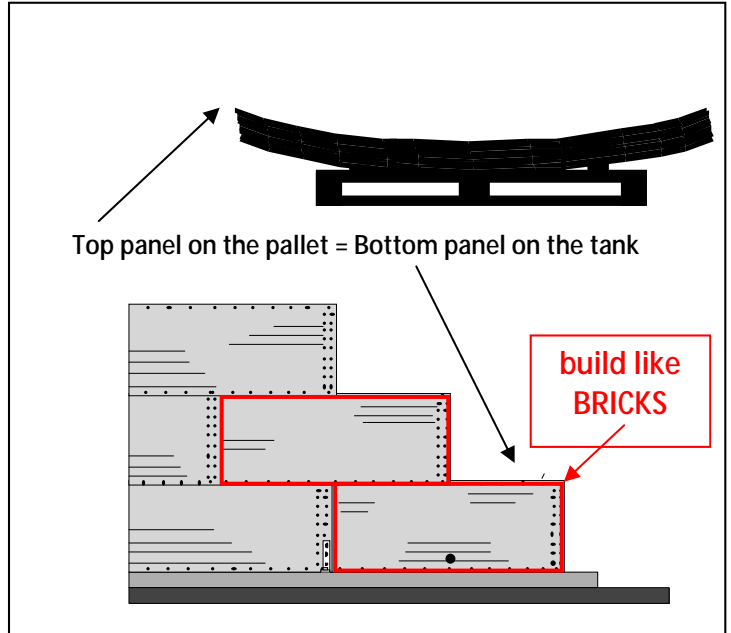
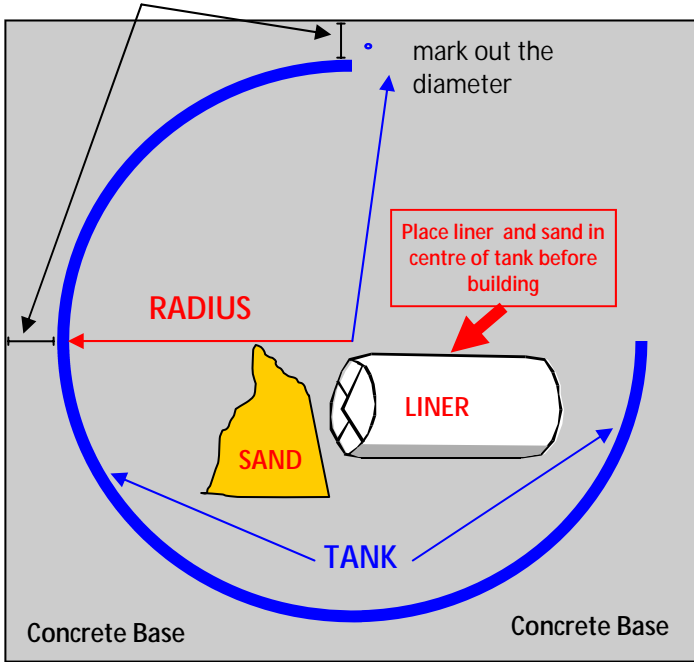


OPTIONAL OUTLETS & VALVES

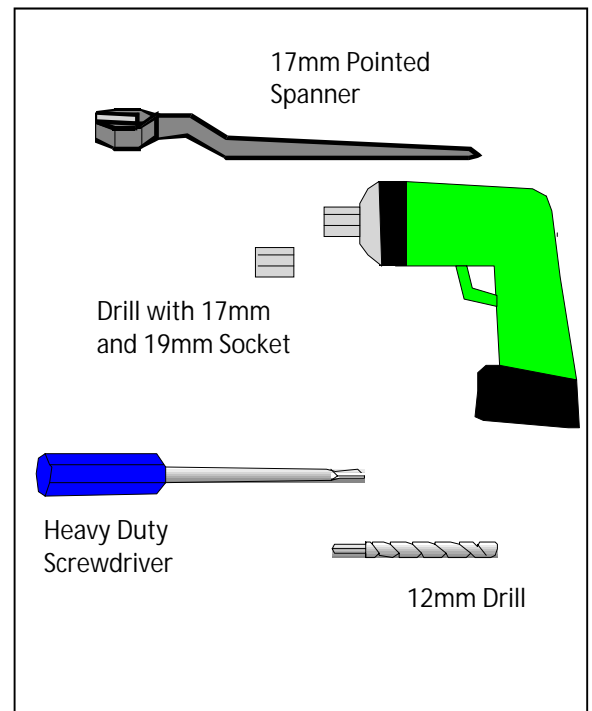
BUILDING THE TANK 1



Minimum 300mm base edge to tank



Tools Required

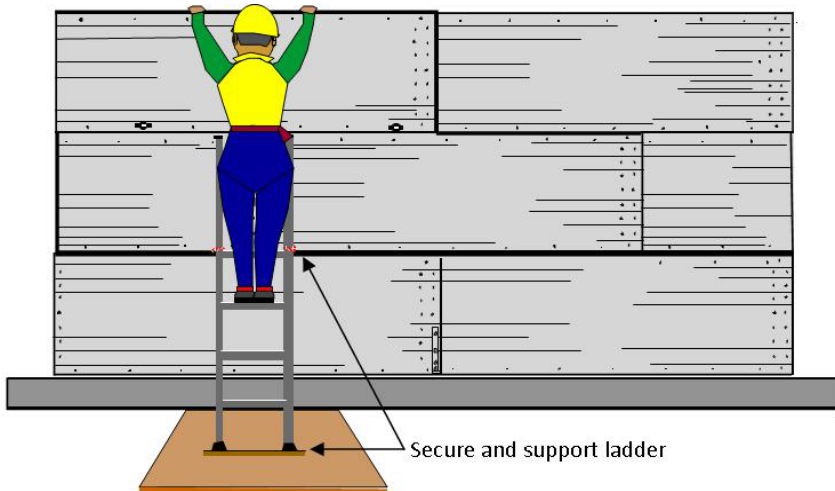
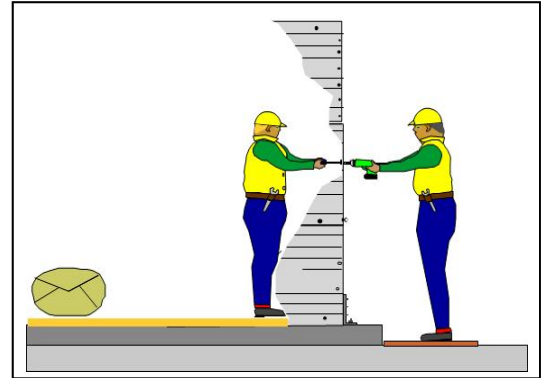
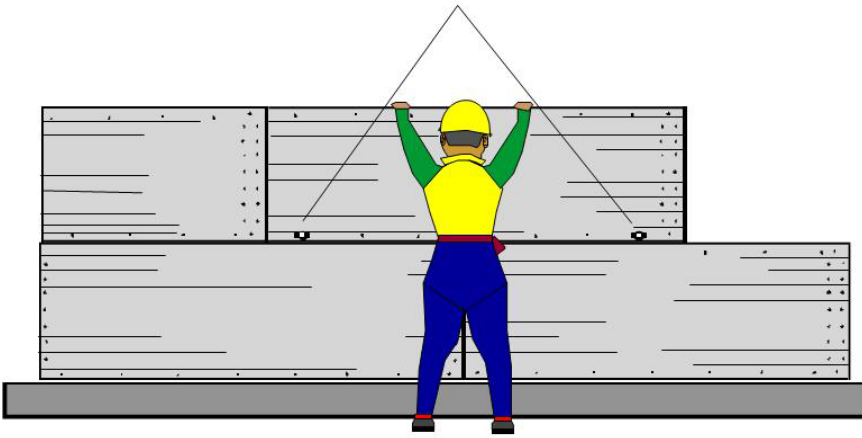


BUILDING THE TANK 2

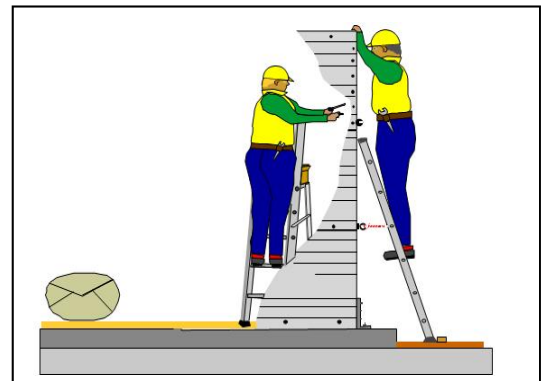
EVENPRODUCTS



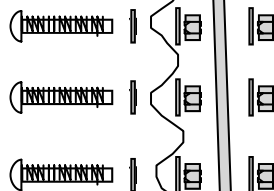
Use podger/screwdriver to position the panels



Secure and support ladder

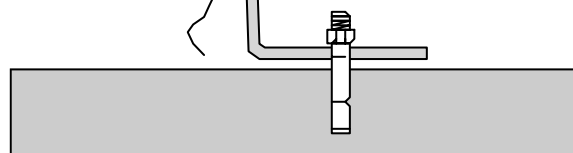


40mm bolts



NOTE

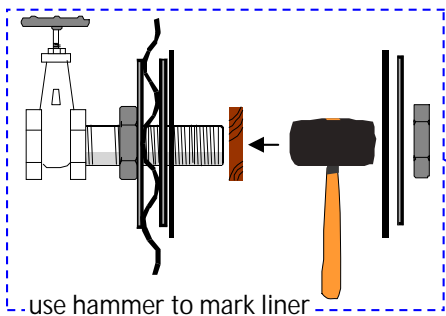
Do not fix anchor bolts until 150mm of water is in the tank



INSTALLING THE LINER

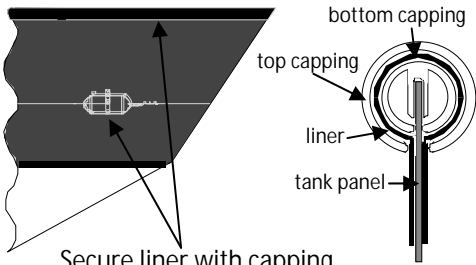
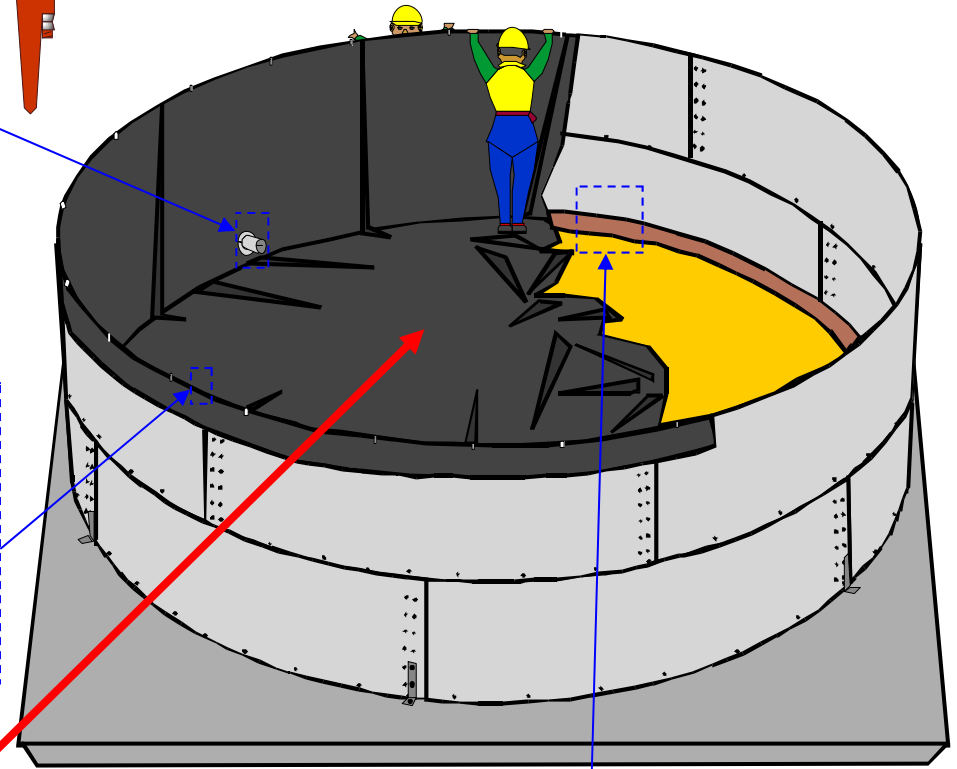


Outlet and gate valve optional



use hammer to mark liner where hole will be cut

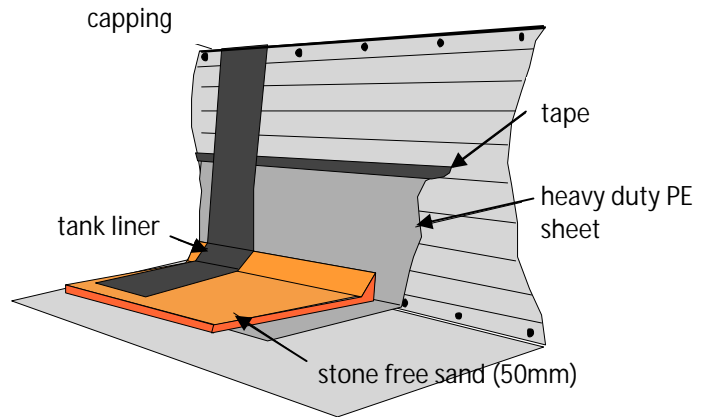
tighten outlet with adjustable spanner



Secure liner with capping and straining wire

When installing the liner.....

- Seams must be vertical
- Folds and overlaps are minimal
- Liner is pushed into the corner when first filling with water
- Overlap on the outside is consistent
- Capping is applied smoothly
- Straining wire is installed



Evenproducts Limited

The Oxstalls Evesham Worcestershire WR11 4TU United Kingdom

t: +44 1386 760 950 f: +44 1386 423 769

e: sales@evenproducts.com

www.evenproducts.com

www.wst-watertanks.com